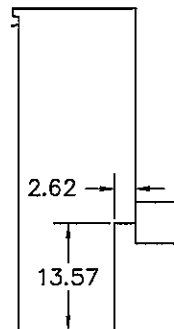
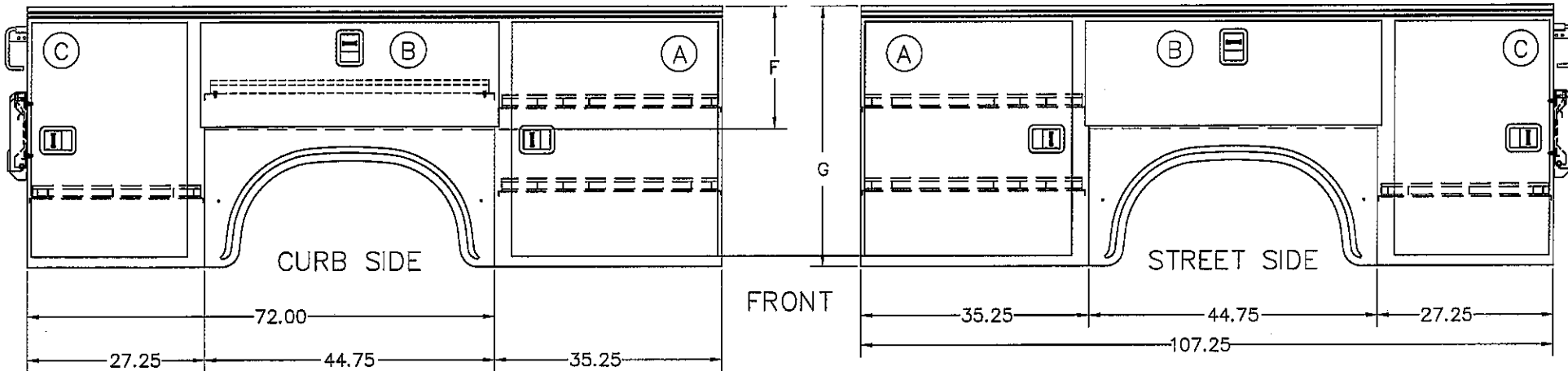


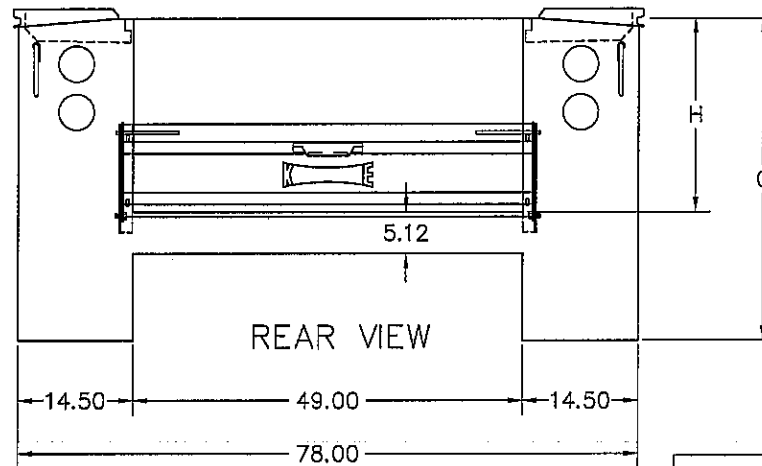
60" CAB TO AXLE SINGLE REAR WHEEL

600 SERIES BOTH SIDES

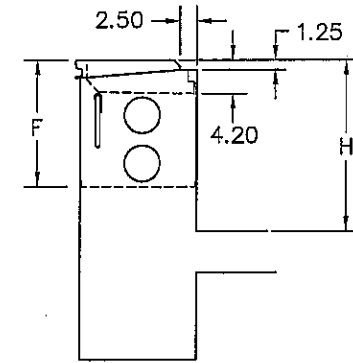
KES419J



LEFT REAR
VERTICAL
CUTOUT
ALL 108J
(Left only)



RECOMMENDED CA 60"



"F" MODELS ONLY

6108FJ40	18.50	41.25	25.25
MODEL	F	G	H

CLEAR DOOR OPENING

	A	B	C
WIDTH	29.50	43.50	21.50
HEIGHT (STD)	33.50	13.50	33.50

REVISIONS			
NO.	CHANGE	BY	DATE
1	ADD FJ40	JR	15
2	DIMS	JR	7/05

UNLESS OTHERWISE SPECIFIED, THE FOLLOWING TOLERANCES APPLY

.X ± .12

.XX ± .06

.XXX ± .03

ANGLES ± 2°

PROPERTY OF THE KNAPHEIDE MFG. CO., QUINCY, IL AND IS LOANED TO THE RECIPIENT SUBJECT TO RETURN UPON DEMAND. ITS CONTENTS ARE CONFIDENTIAL AND MUST NOT BE COPIED OR SUBMITTED TO OUTSIDE PARTIES FOR USE OR EXAMINATION.

THE **KNAPHEIDE** MFG CO
QUINCY, ILLINOIS

TITLE: 6108FJ40 SERIES
SERVICE BODY
W/ ML-HLH

DRAWN BY & DATE: JAA 6/19/98

CHECKED BY & DATE: [] []

EST. WT. LBS. []

MATERIAL: []

SCALE: 1=28

DRAWING NO.: []

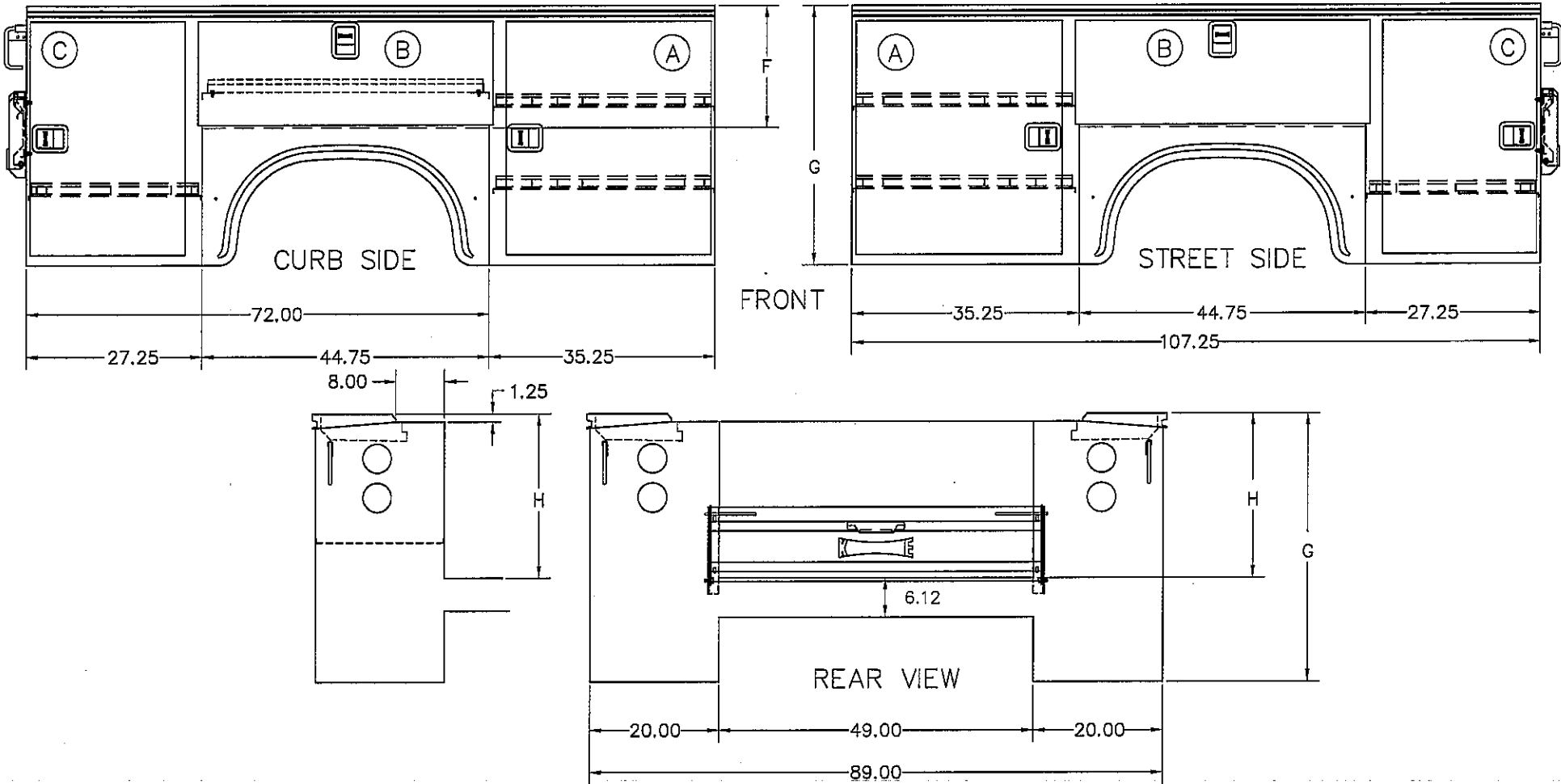
SHT 1 of 1

KES419J

60" CAB TO AXLE DUAL REAR WHEEL

600 SERIES BOTH SIDES

KES420J



6108DFJ40	19.75	41.25	25.25
MODEL	F	G	H

RECOMMENDED CA 60"

	CLEAR DOOR OPENING		
	A	B	C
WIDTH	29.50	43.50	21.50
HEIGHT (STD)	33.50	13.50	33.50

REVISIONS			
NO.	CHANGE	BY	DATE

UNLESS OTHERWISE SPECIFIED, THE FOLLOWING TOLERANCES APPLY
 .X ± .12
 .XX ± .06
 .XXX ± .03
 ANGLES ± 2°

PROPERTY OF THE KNAPHEIDE MFG. CO., QUINCY, IL AND IS LOANED TO THE RECIPIENT SUBJECT TO RETURN UPON DEMAND. ITS CONTENTS ARE CONFIDENTIAL AND MUST NOT BE COPIED OR SUBMITTED TO OUTSIDE PARTIES FOR USE OR EXAMINATION.

THE **KNAPHEIDE** MFG CO
 QUINCY, ILLINOIS

TITLE: 6108DFJ40 SERIES SERVICE BODY
 W/ ML-HLH-NWH

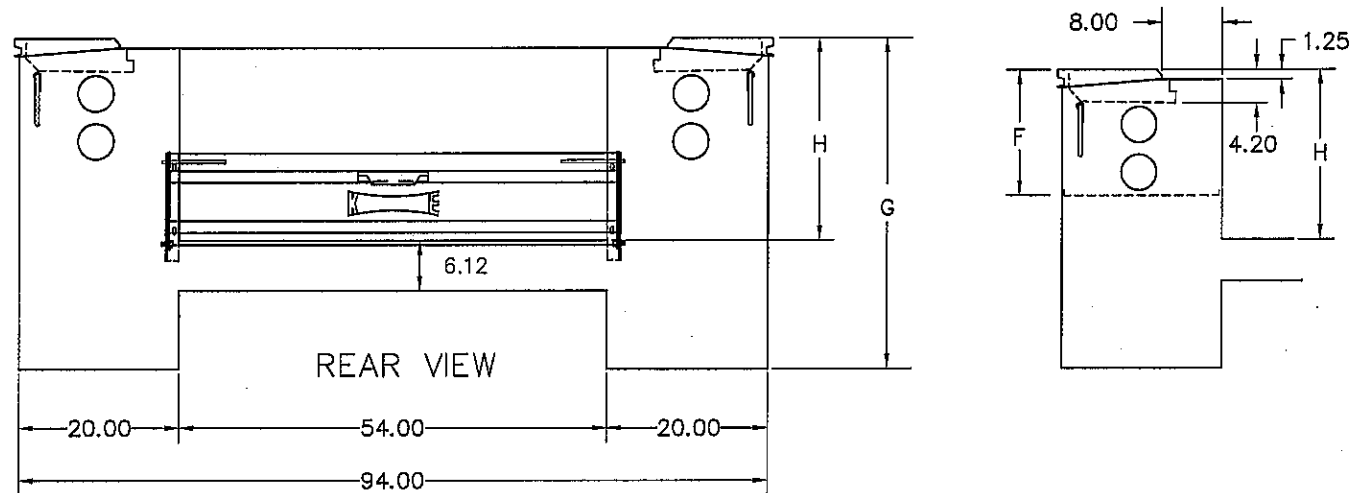
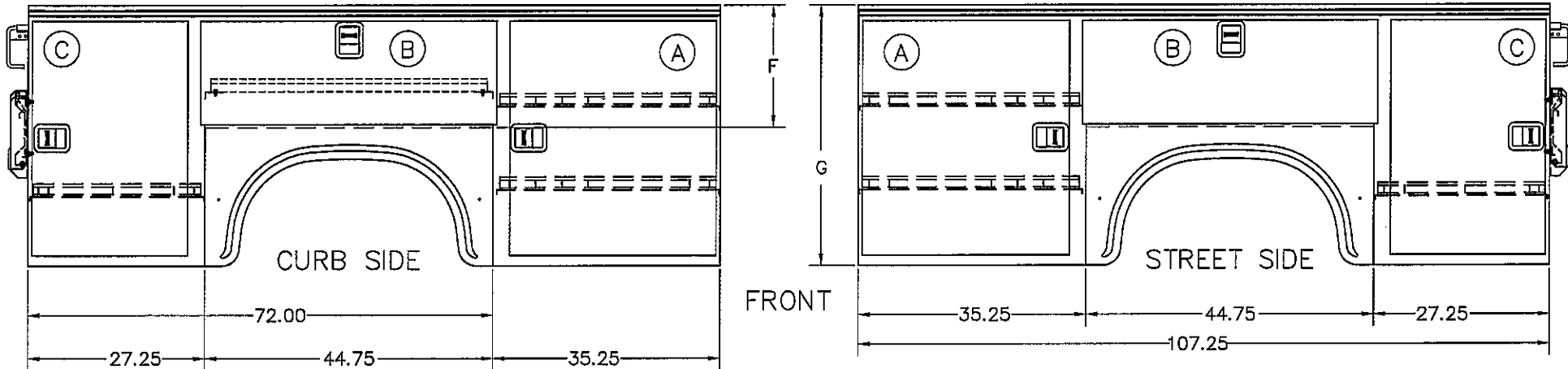
DRAWN BY & DATE: JAA 6/19/98
 CHECKED BY & DATE:
 EST. WT. LBS.
 SCALE: 1=28
 DRAWING NO.
 SHIT 1 OF 1

KES420J

60" CAB TO AXLE DUAL REAR WHEEL
FORD & C4500/C5500 MODELS

600 SERIES BOTH SIDES

KES421J



6108D54FJ40	19.75	41.25	25.25
MODEL	F	G	H

RECOMMENDED CA 60"

	CLEAR DOOR OPENING		
	A	B	C
WIDTH	29.50	43.50	21.50
HEIGHT (STD)	33.50	13.50	33.50

REVISIONS			
NO.	CHANGE	BY	DATE

UNLESS OTHERWISE SPECIFIED, THE FOLLOWING TOLERANCES APPLY

.X ± .12
 .XX ± .08
 .XXX ± .03
 ANGLES ± 2°

PROPERTY OF THE KNAPHEIDE MFG. CO., QUINCY, IL AND IS LOANED TO THE RECIPIENT SUBJECT TO RETURN UPON DEMAND. ITS CONTENTS ARE CONFIDENTIAL AND MUST NOT BE COPIED OR SUBMITTED TO OUTSIDE PARTIES FOR USE OR EXAMINATION.

THE **KNAPHEIDE** MFG CO
 QUINCY, ILLINOIS

TITLE: 6108D54FJ40 SERIES
 SERVICE BODY
 W/ ML-HLH-NWH

DRAWN BY & DATE JAA 6/19/98	MATERIAL
CHECKED BY & DATE	SCALE 1=28
EST. WT. LBS.	DRAWING NO. KES421J

SHT 1 OF 1